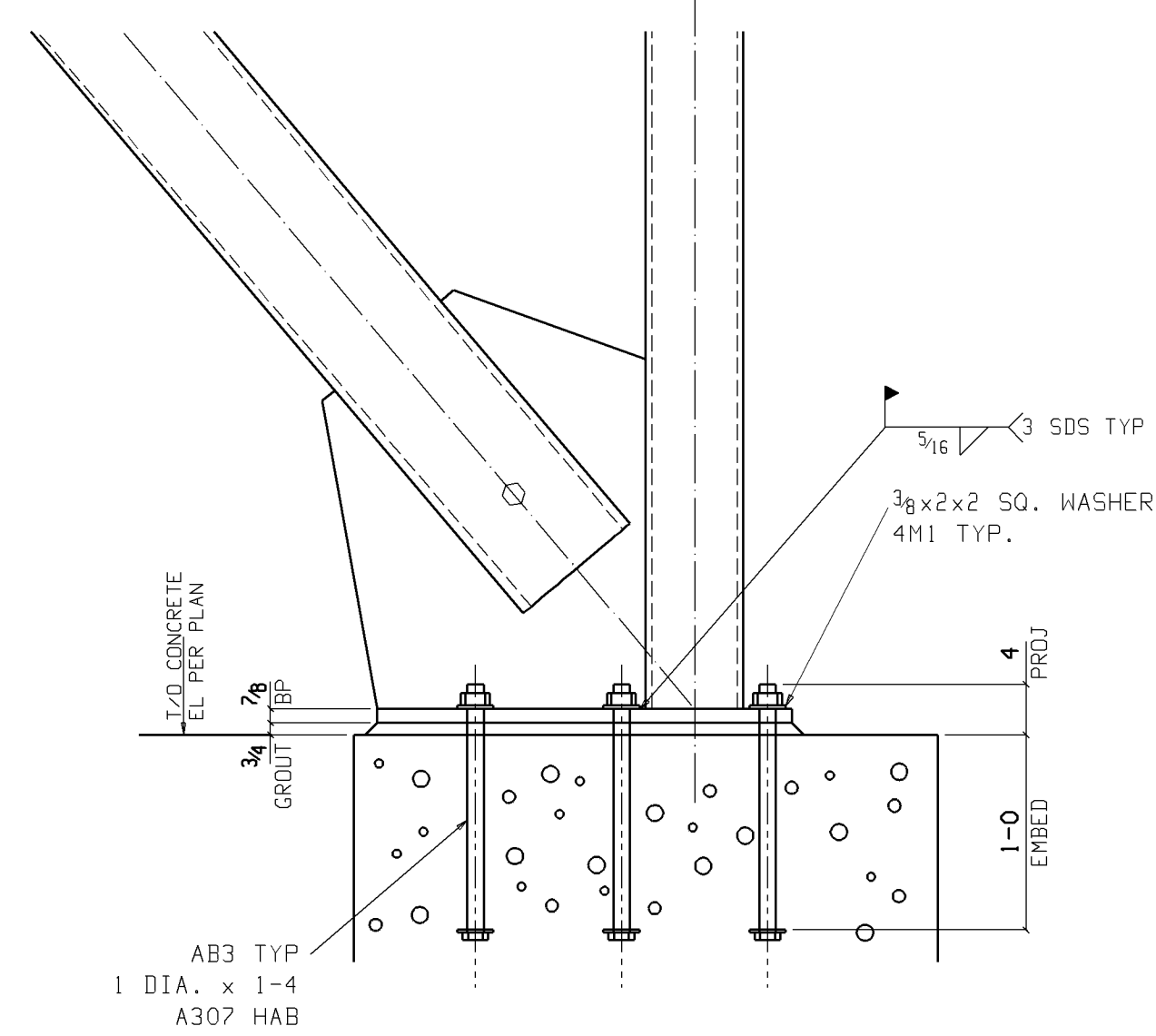
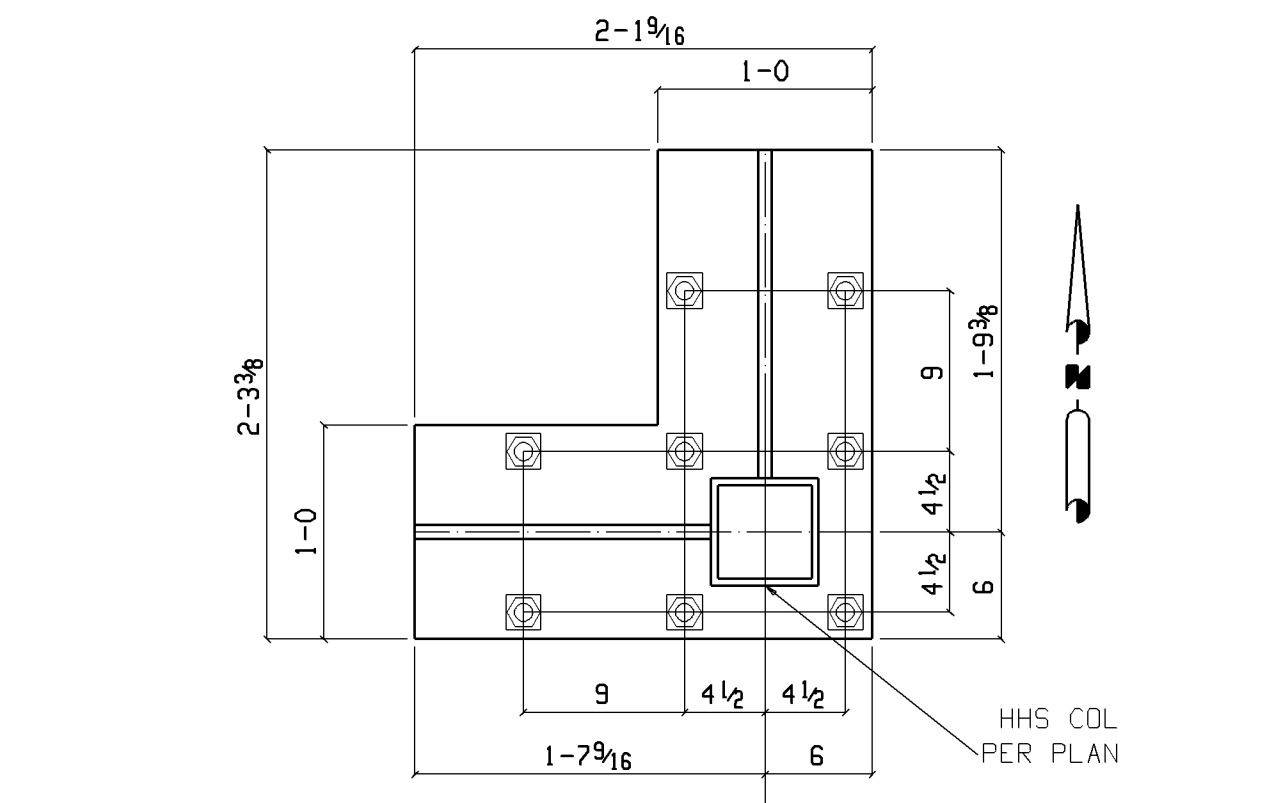
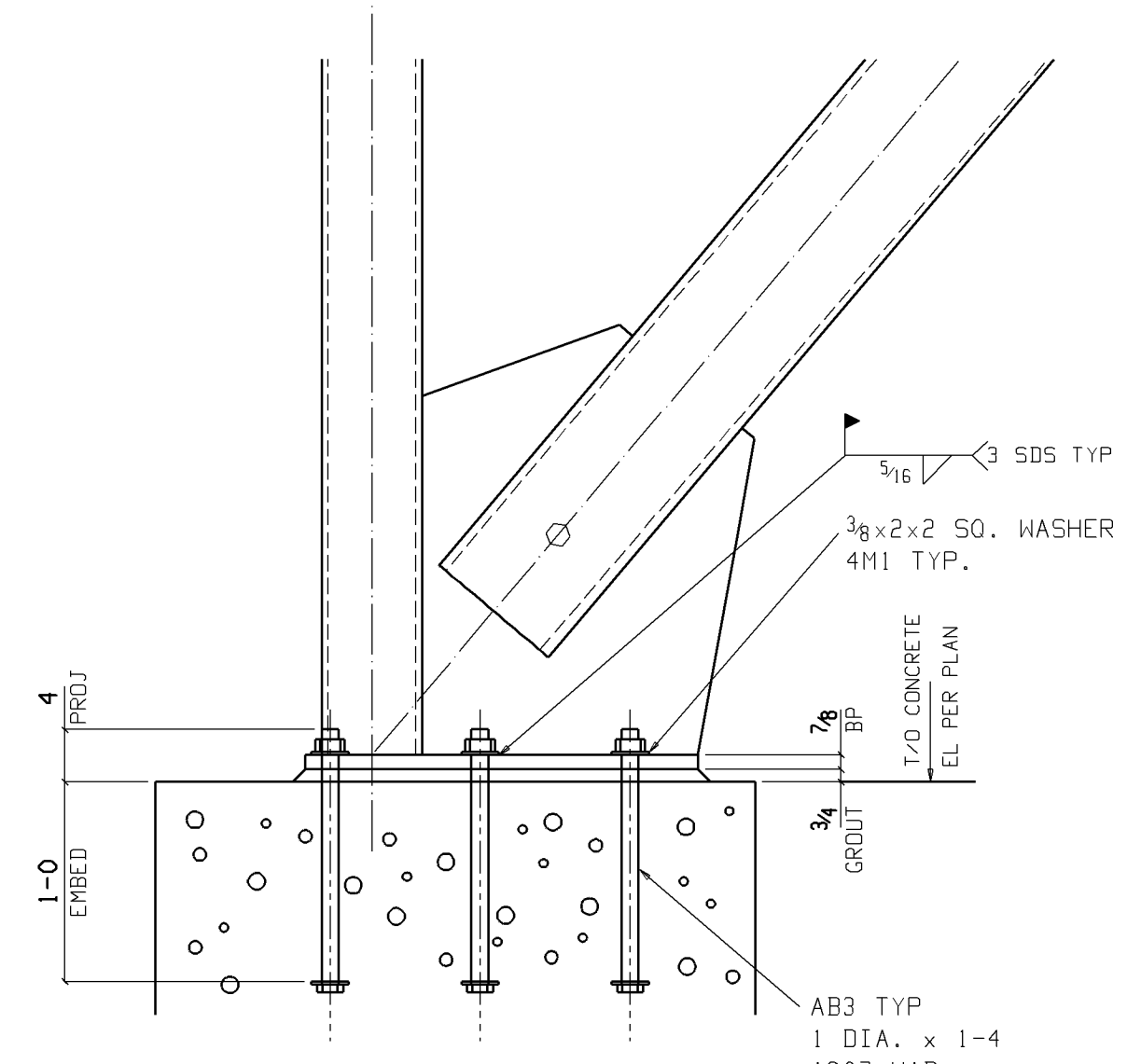
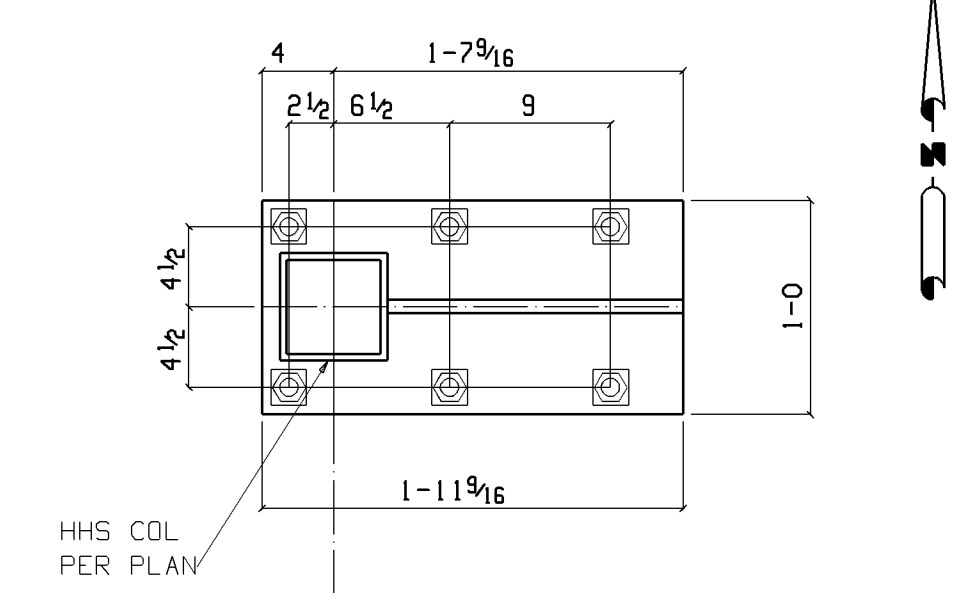


**ANCHOR BOLT PLAN**

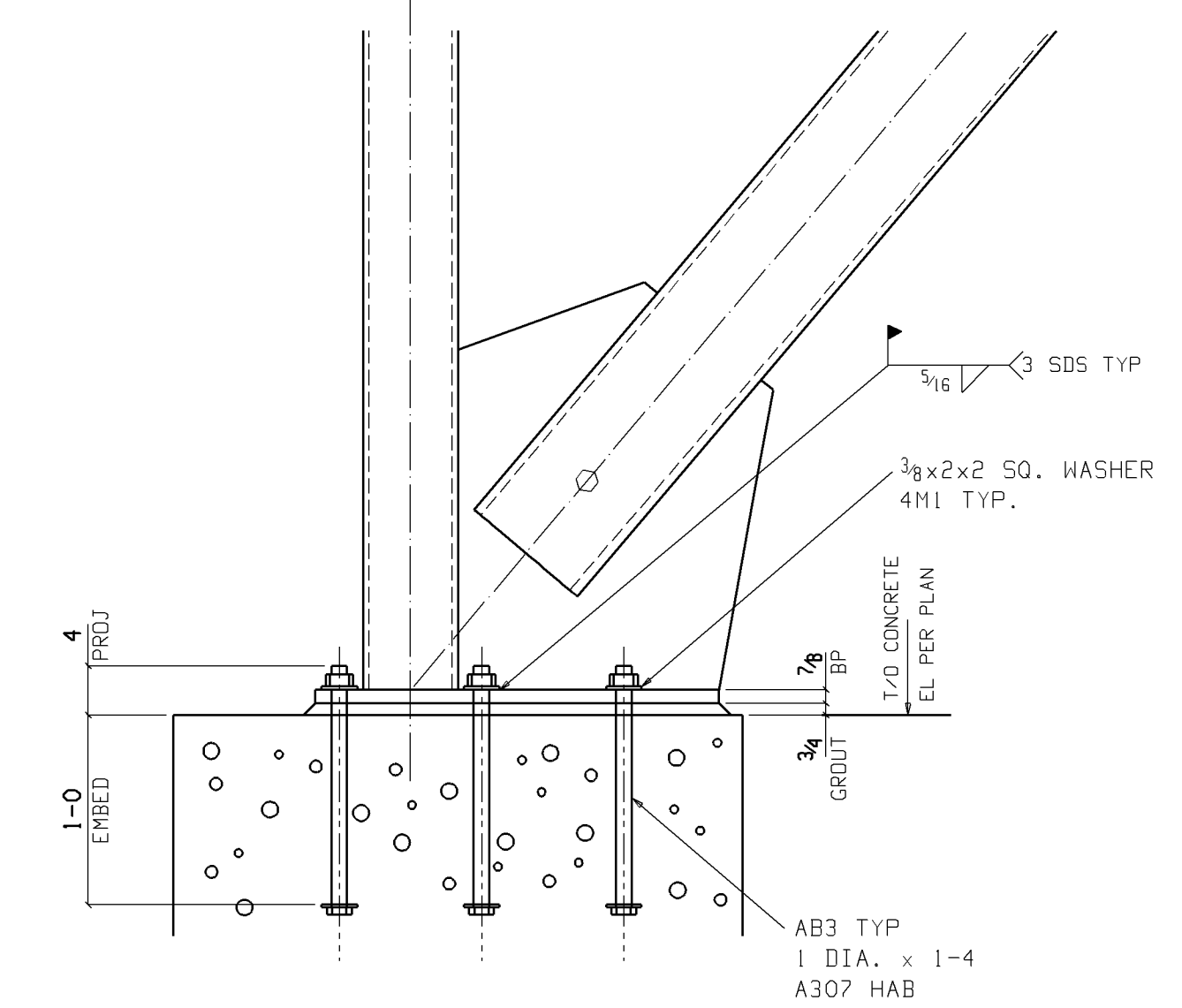
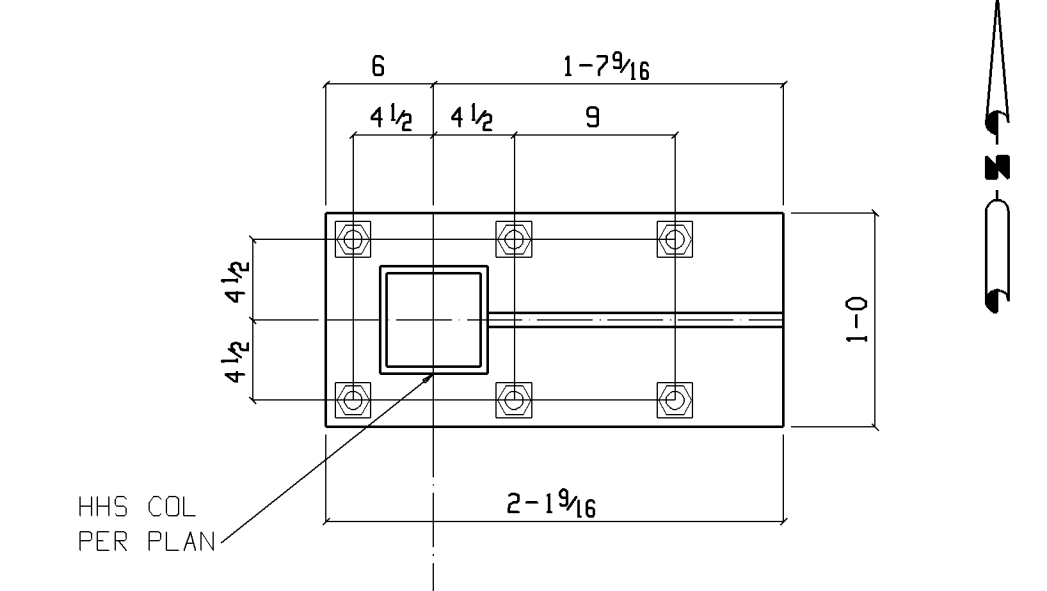
T.O. CONCRETE ELEV: 0-0 (U.N.O.)  
REF: S2.1a



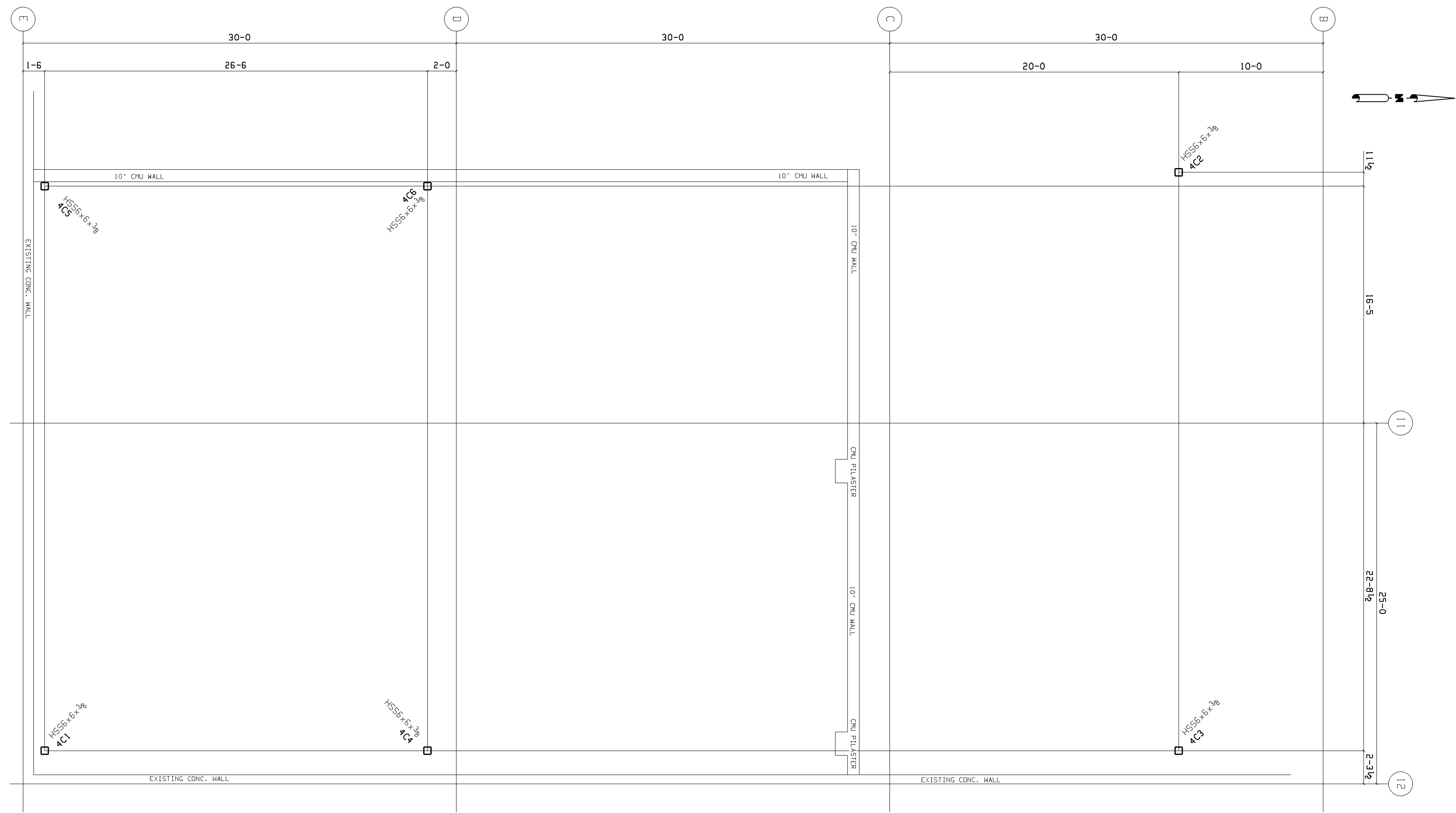
**DETAIL AB-E4A**  
(SEE PLAN FOR ORIENTATION)  
REF: 2/55.2



**DETAIL AB-E4B**  
(SEE PLAN FOR ORIENTATION)  
REF: 2/55.2

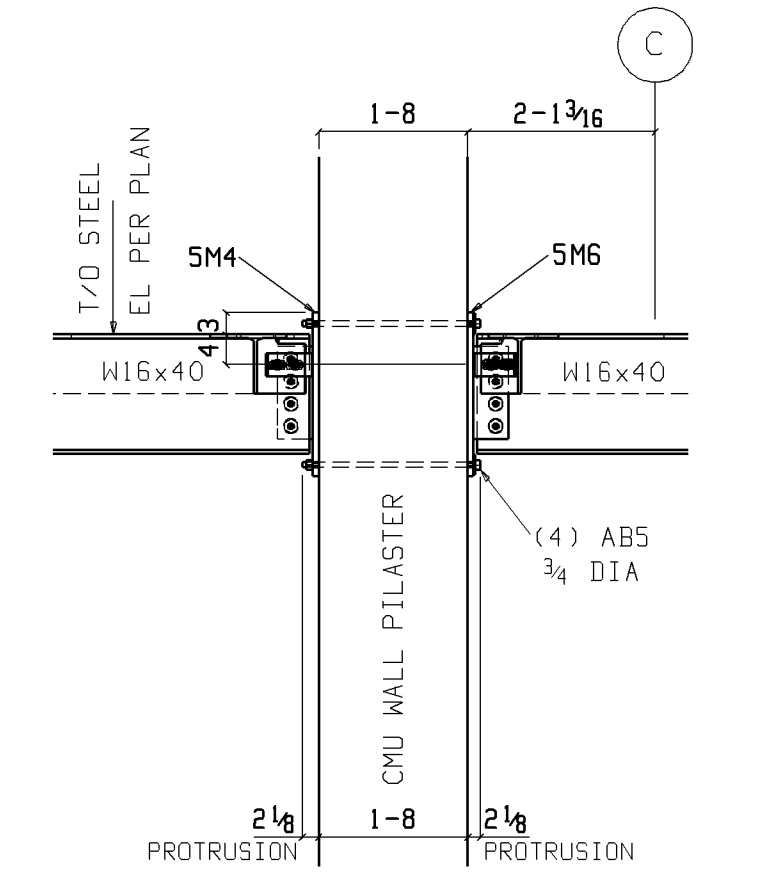
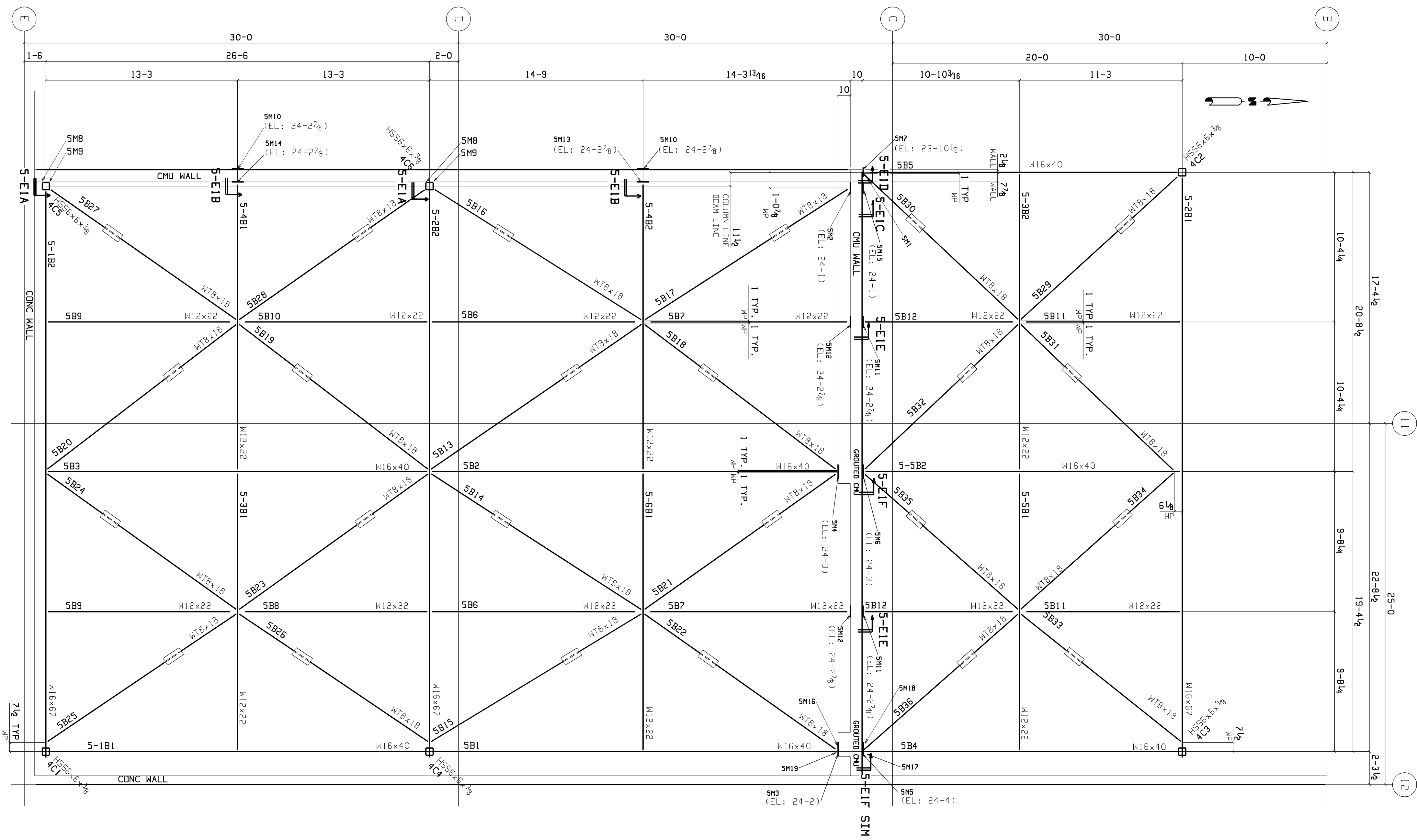


**DETAIL AB-E4C**  
(SEE PLAN FOR ORIENTATION)  
REF: 2/55.2



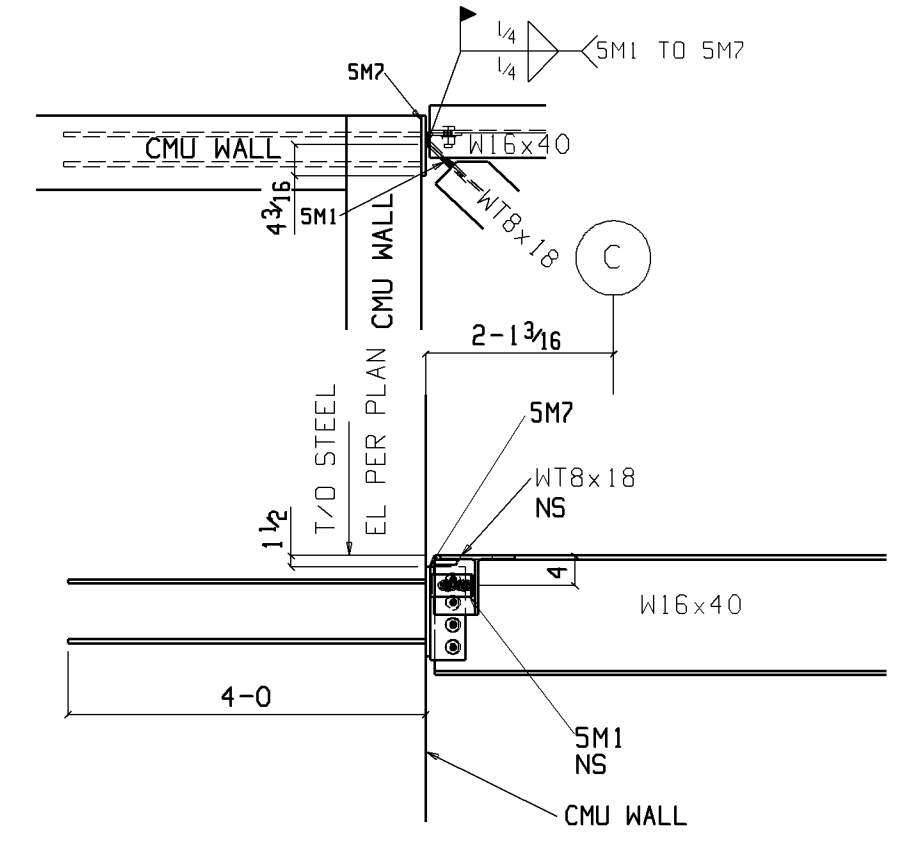
**COLUMN PLACEMENT PLAN**

REF: S2.1a

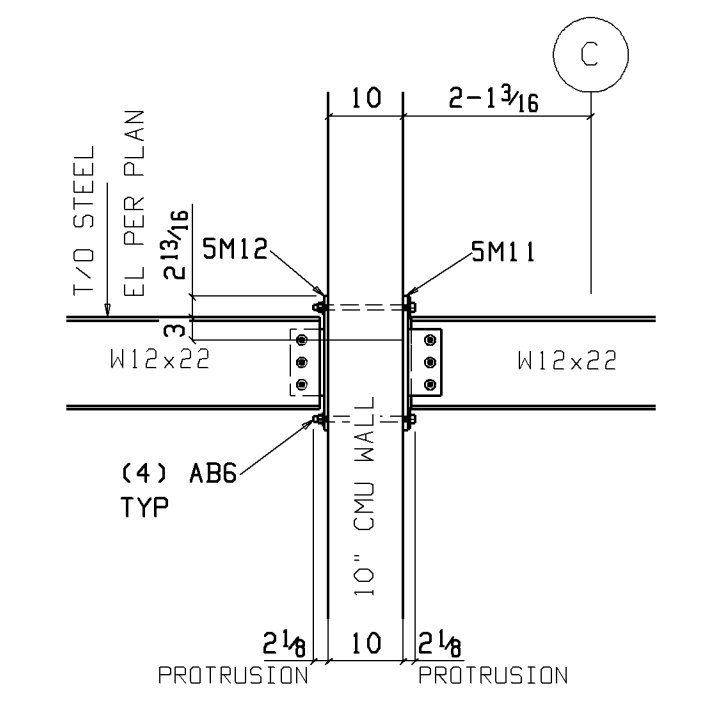


**SECTION 5-E1F**  
T.O. FOOTING/T.O. STEEL ELEV. AS PER PLAN  
REF: 8/54.1

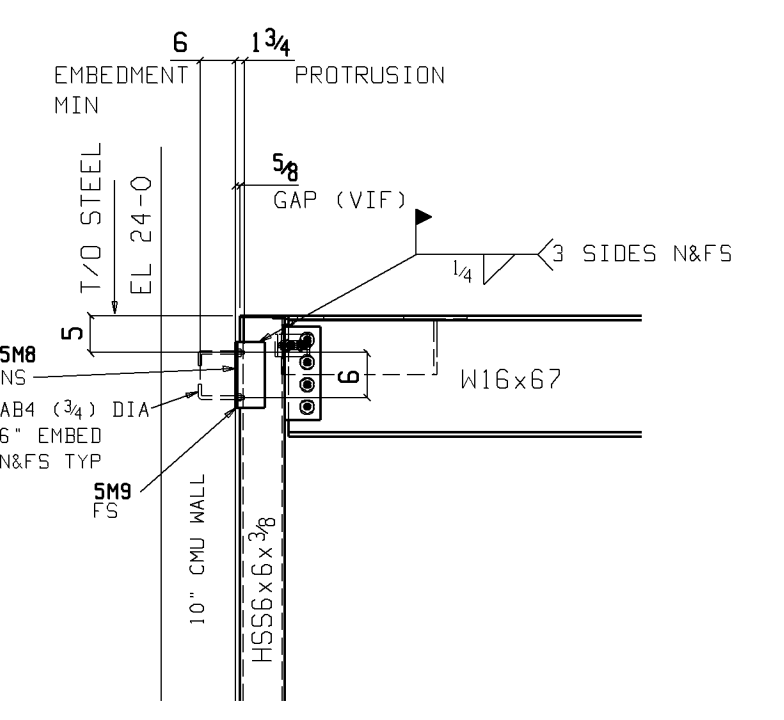
**PARTIAL FRAMING PLAN**  
T.O. STEEL ELEV: 24-0 (U.N.O.)  
REF: S2.2a



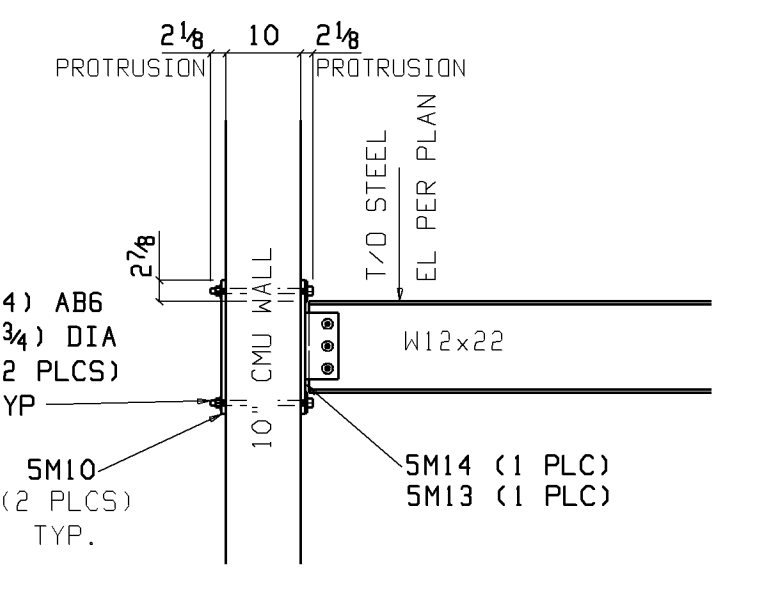
**SECTION 5-E1D**  
T.O. FOOTING/T.O. STEEL ELEV. AS PER PLAN  
REF: 12/54.1



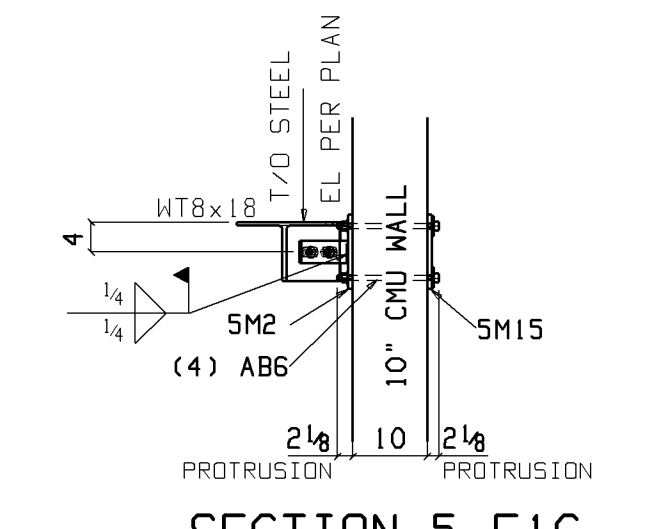
**SECTION 5-E1E**  
T.O. FOOTING/T.O. STEEL ELEV. AS PER PLAN  
REF: 7/54.1



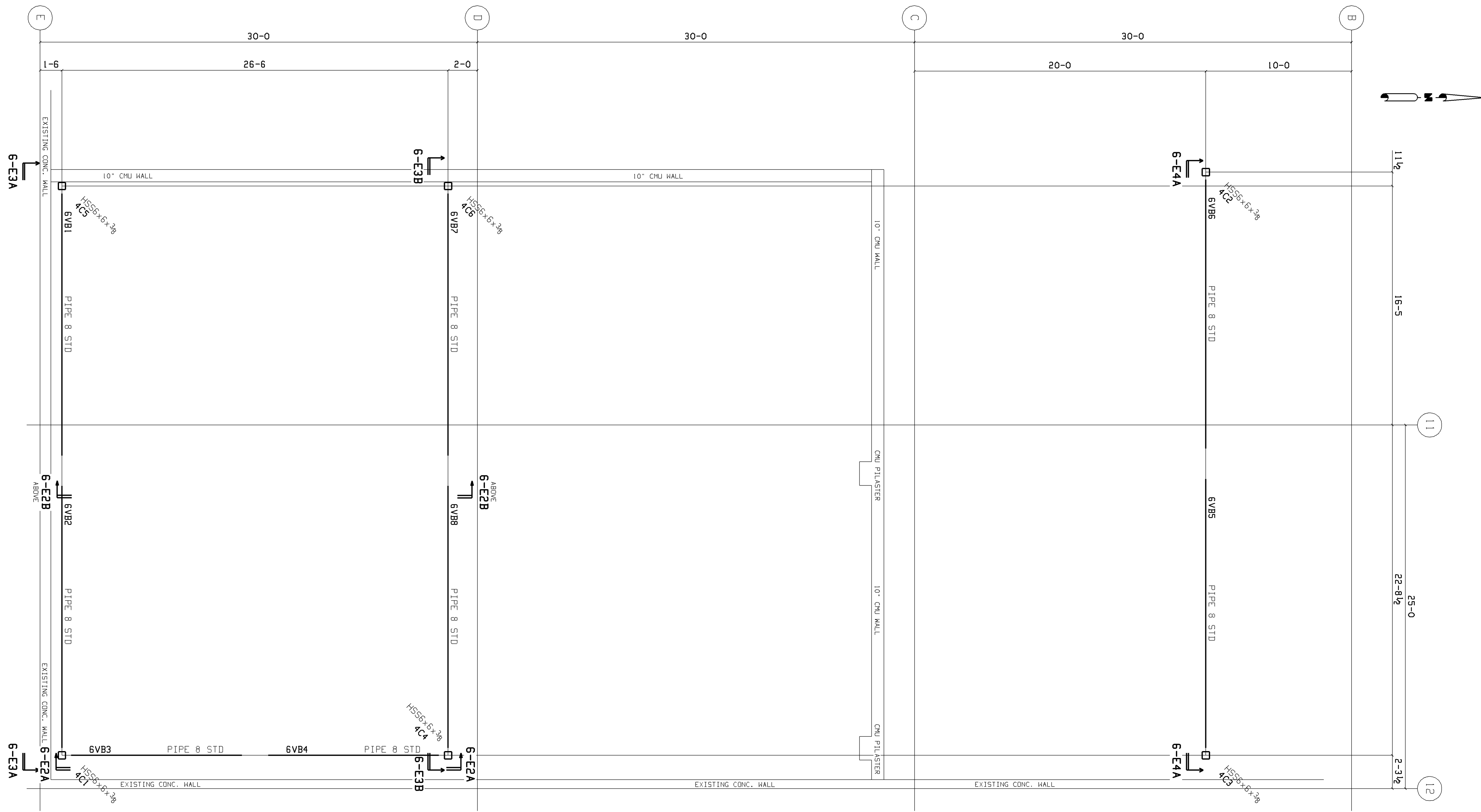
**SECTION 5-E1A**  
REF: 10/54.1



**SECTION 5-E1B**  
T.O. FOOTING/T.O. STEEL ELEV. AS PER PLAN  
REF: 7/54.1



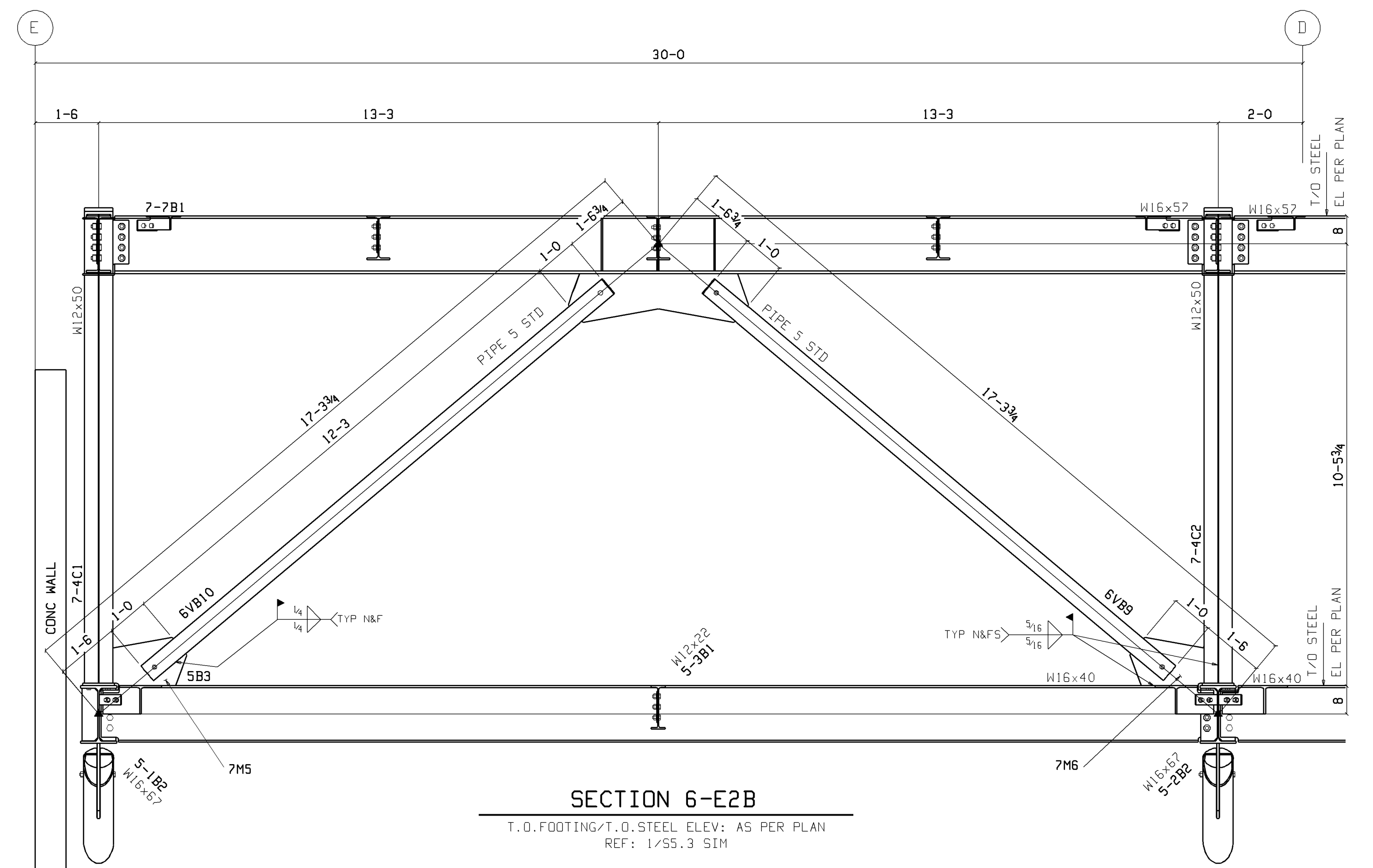
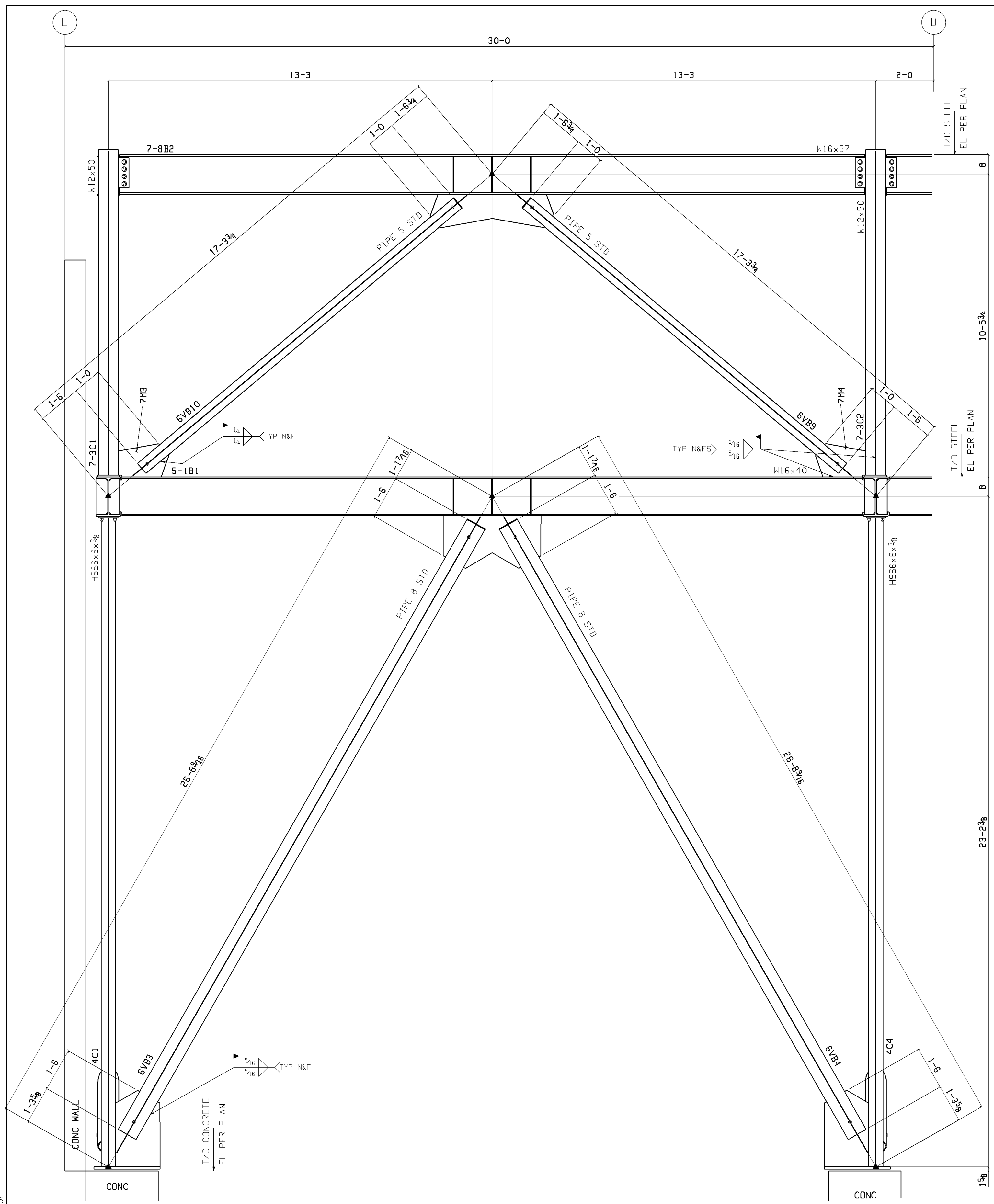
**SECTION 5-E1C**  
T.O. FOOTING/T.O. STEEL ELEV. AS PER PLAN  
REF:

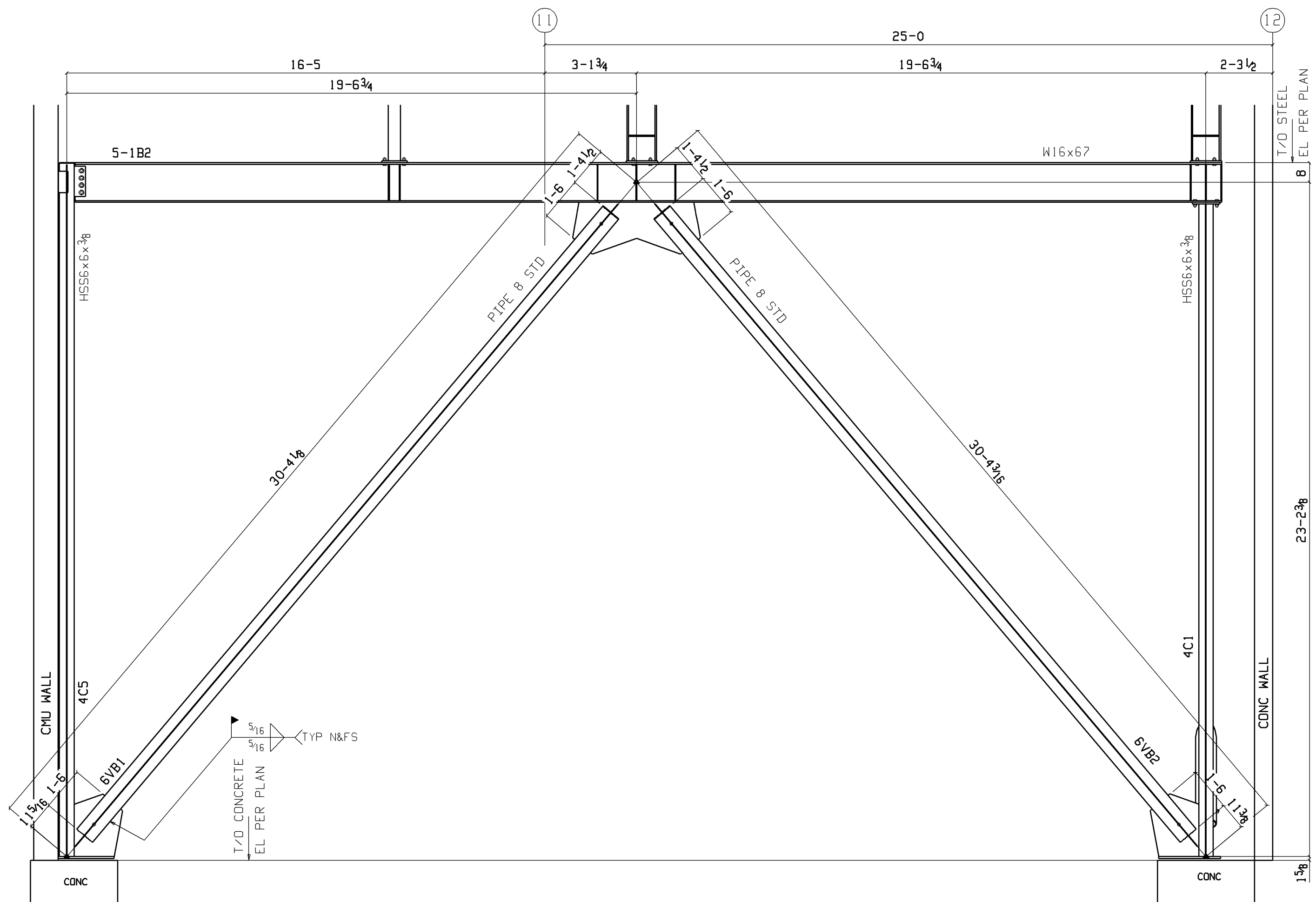


**BRACE PLACEMENT PLAN**

REF: S2.2a, 1/55.2, 1/55.3

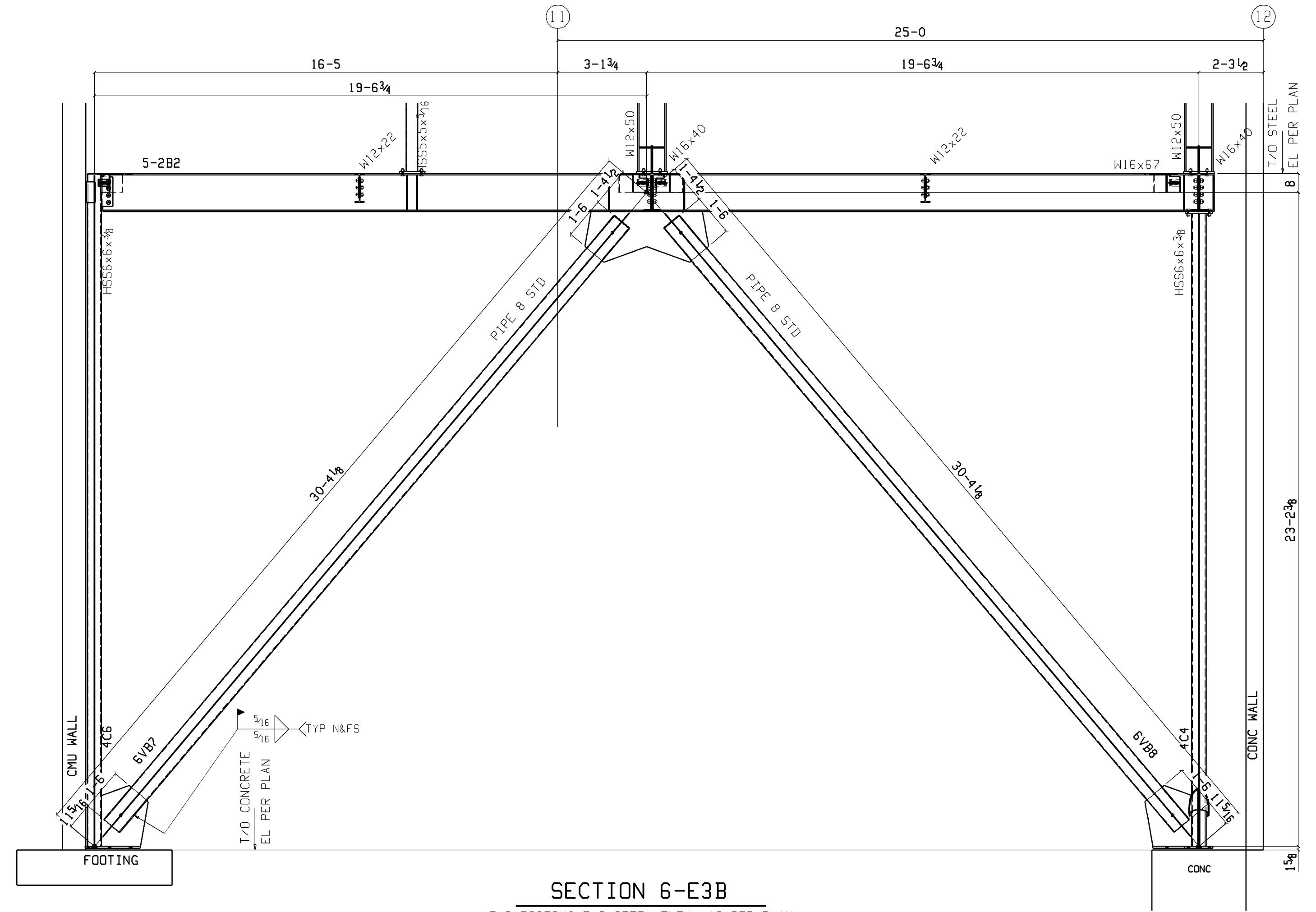
May 31, 2007 12:22:02 PM





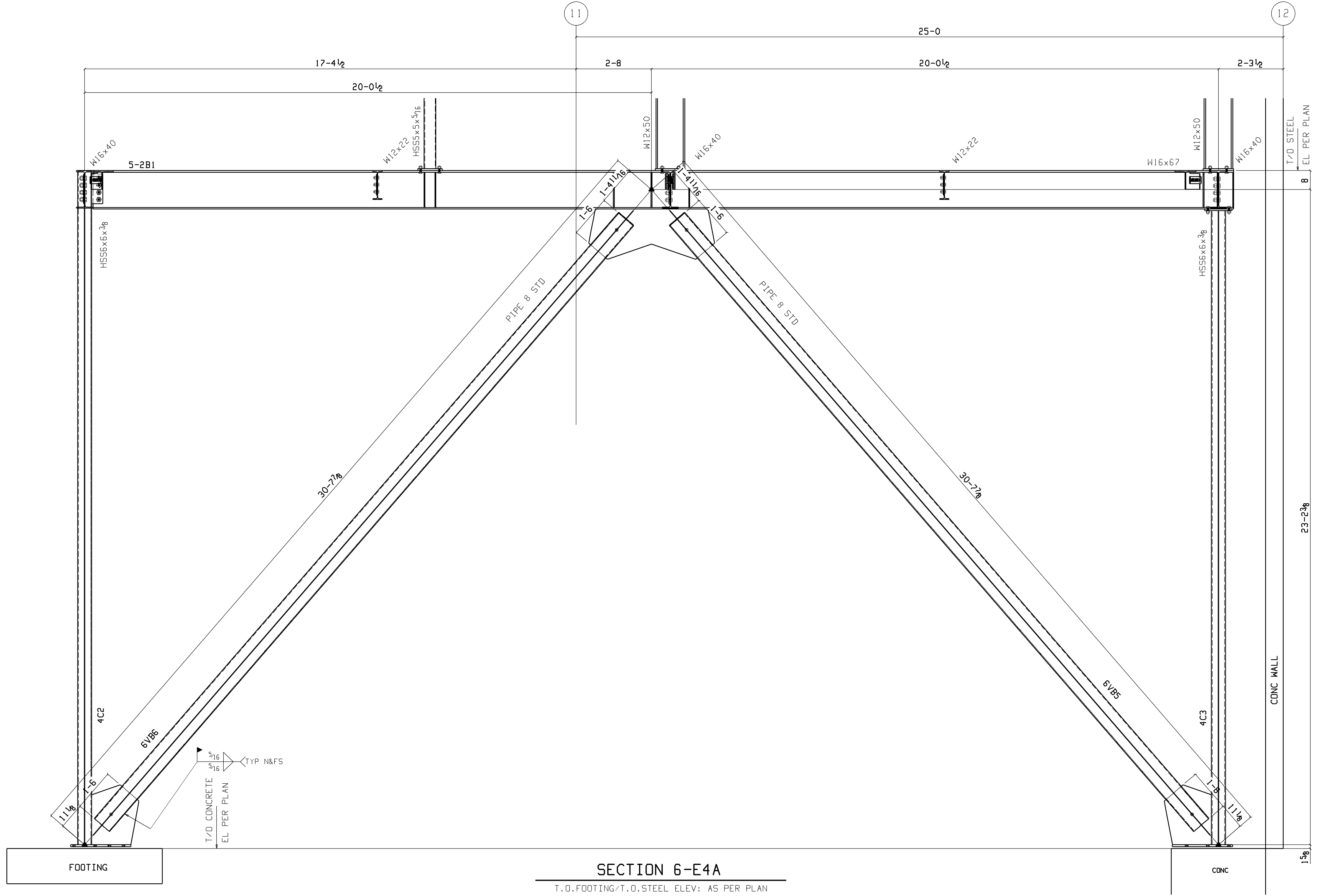
**SECTION 6-E3A**

T.O. FOOTING/T.O. STEEL ELEV: AS PER PLAN  
REF: 1/55.2



**SECTION 6-E3B**

T.O. FOOTING/T.O. STEEL ELEV: AS PER PLAN  
REF: 1/55.2



**SECTION 6-E4A**

T.O. FOOTING/T.O. STEEL ELEV: AS PER PLAN  
 REF: 1/55.1

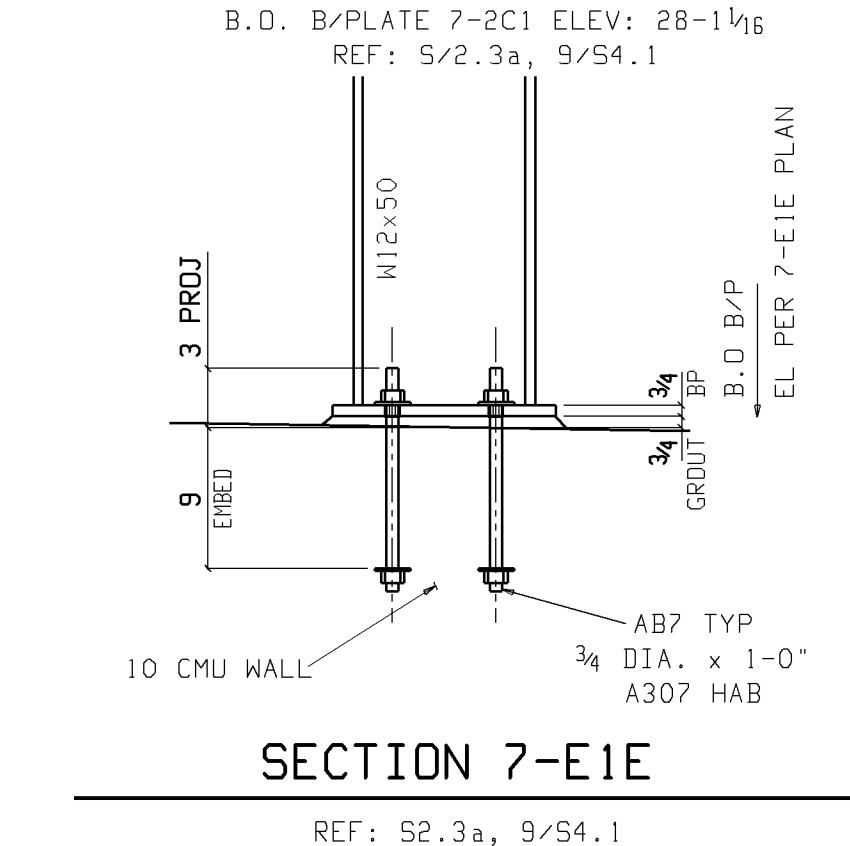
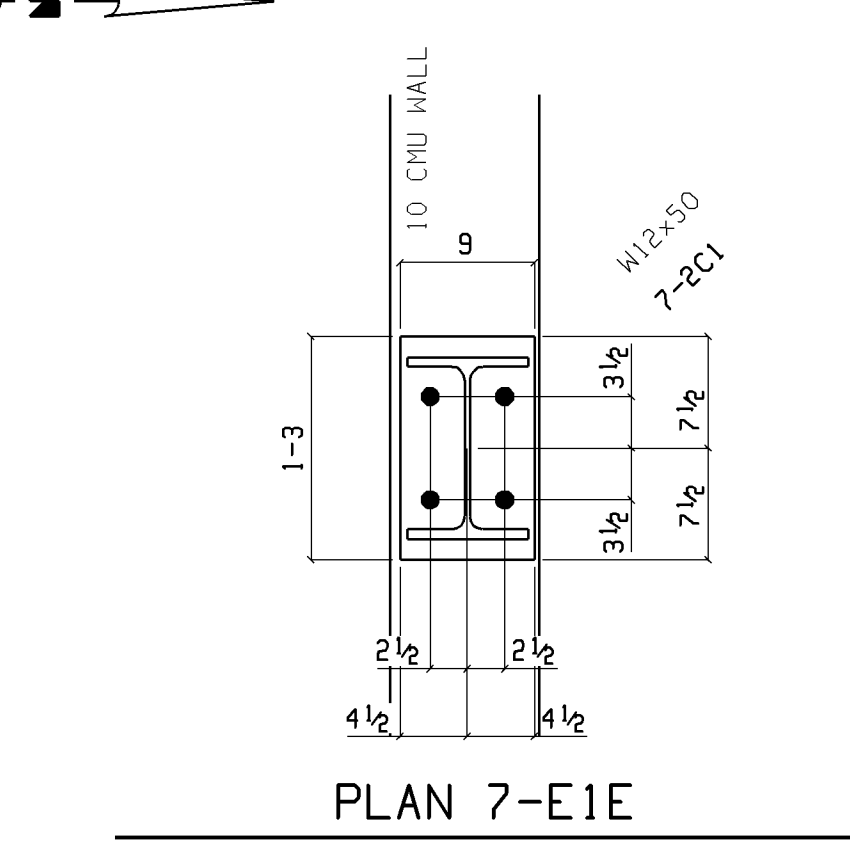
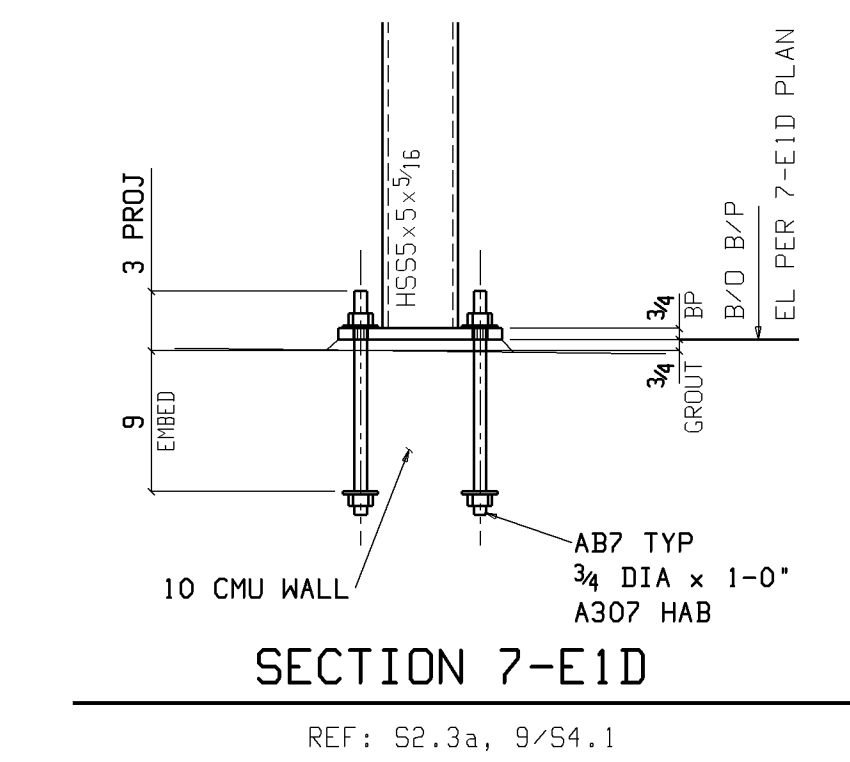
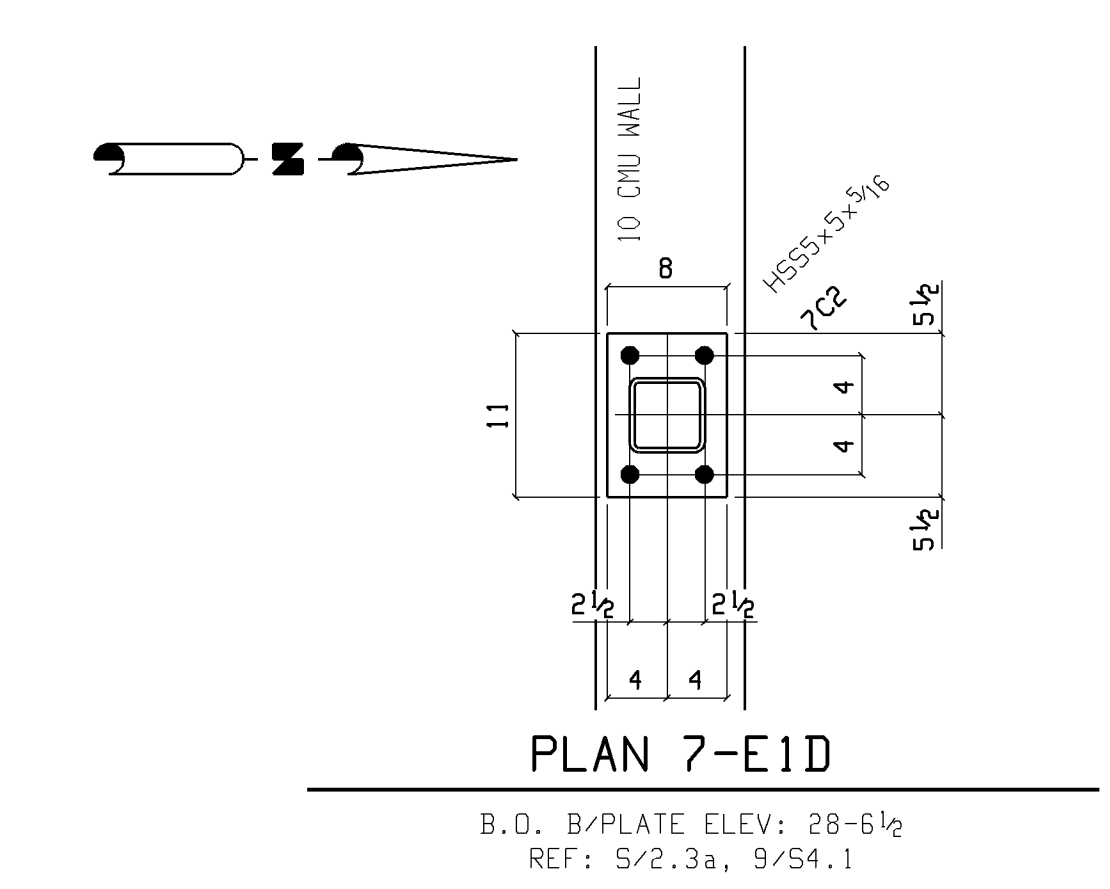
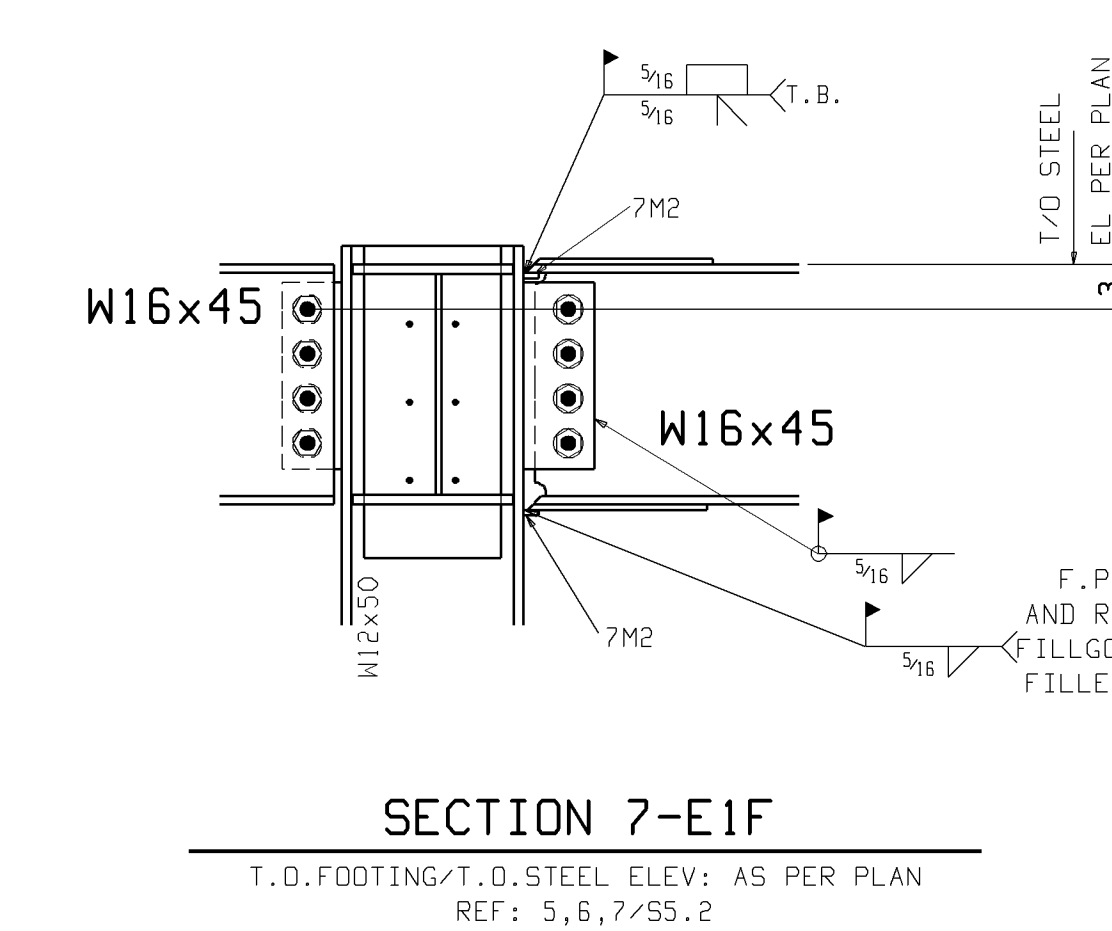
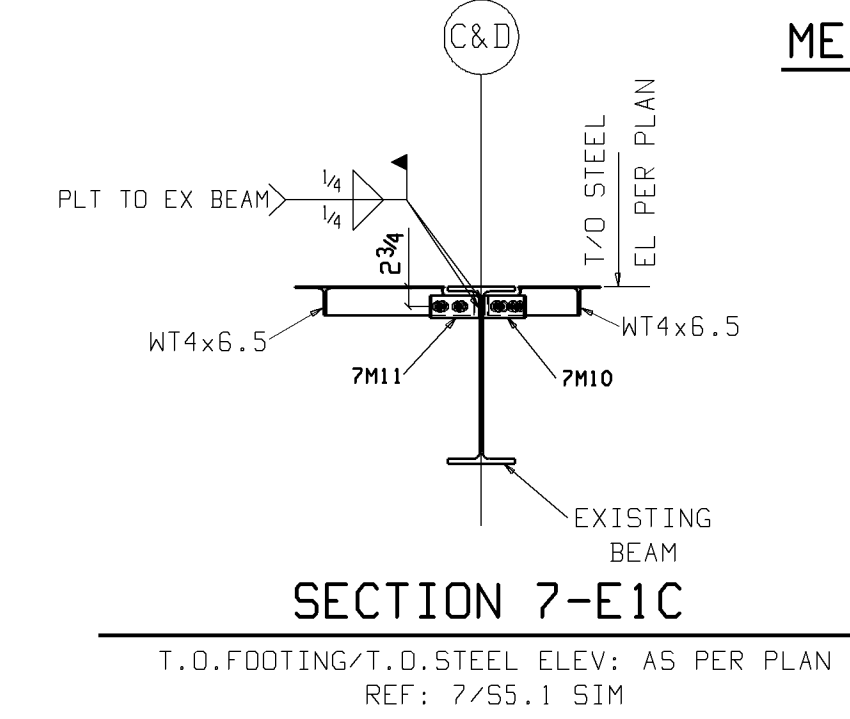
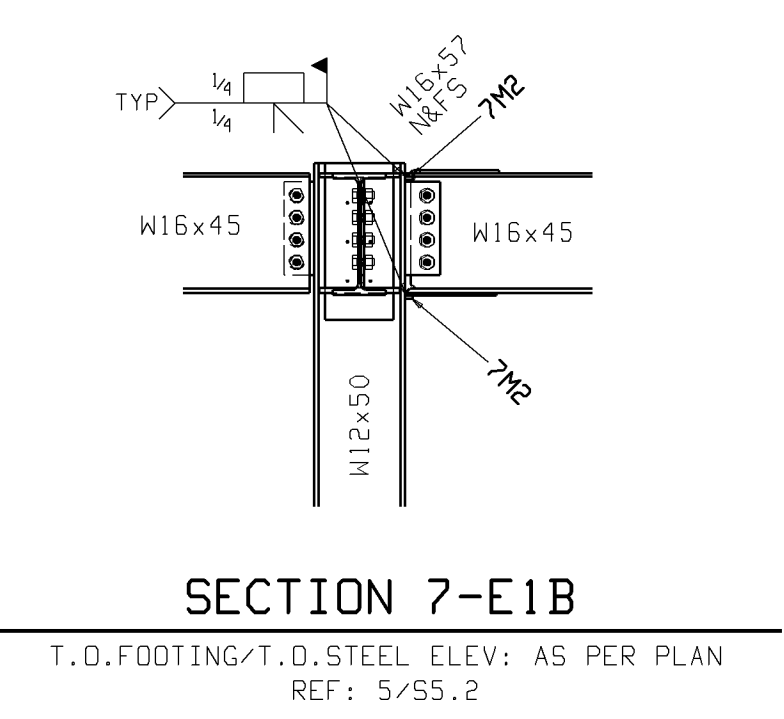
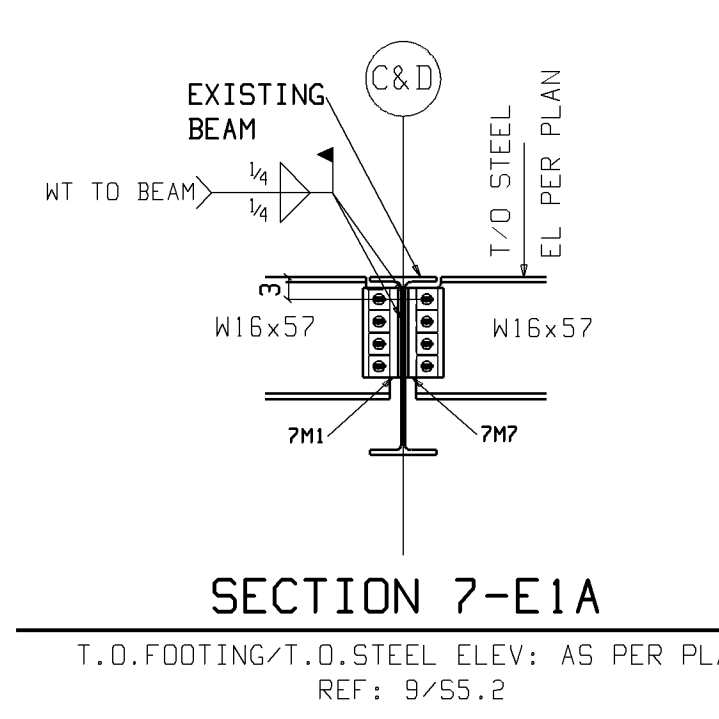
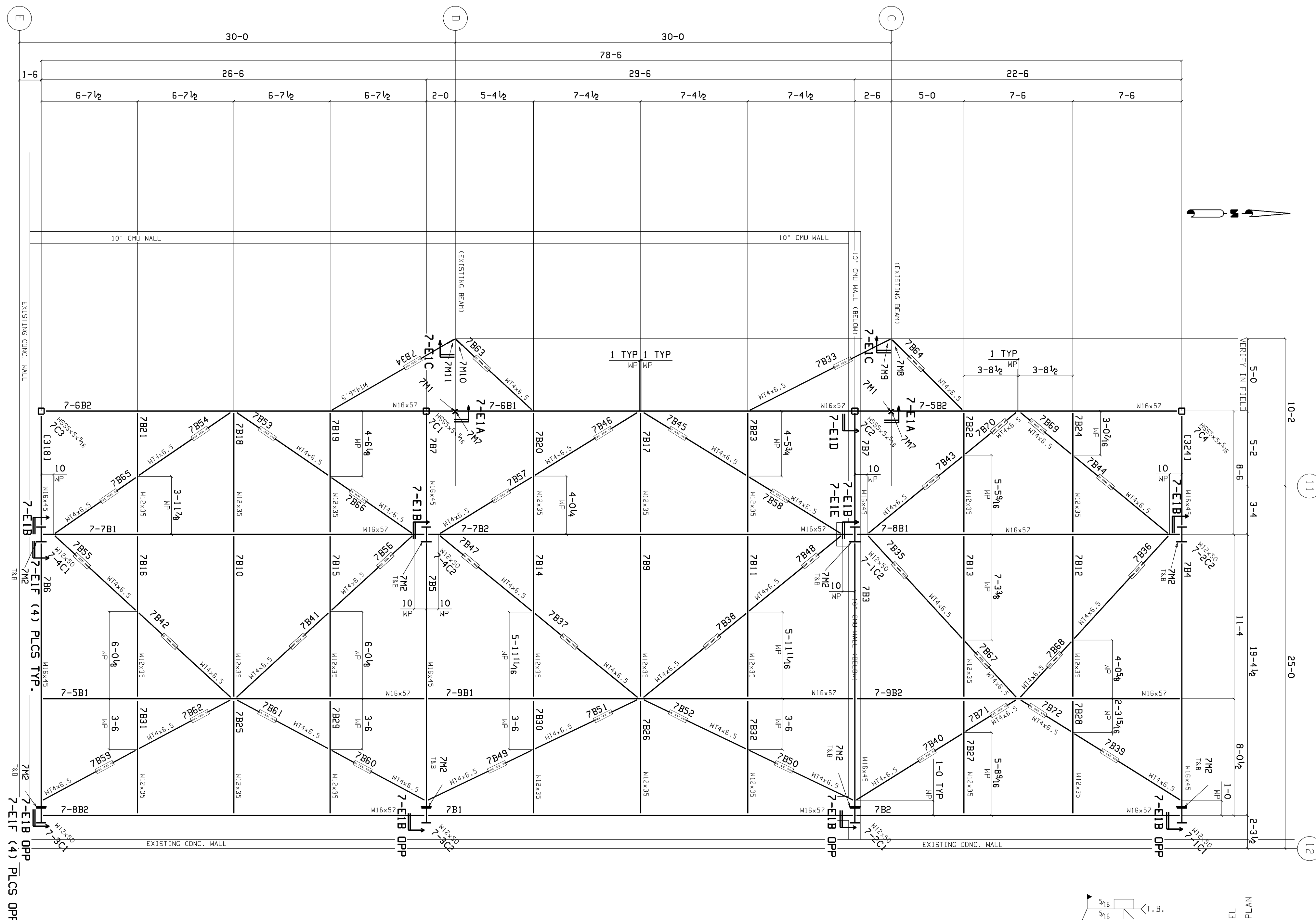
FOOTING

CONC

CONC MALL

T/O STEEL  
 EL PER PLAN





\* WELDNOTE:  
F.P. WELD, REMOVE B.U. BAR  
AND RUN-OFF TABS AND BACKGOUGE  
FILLGOUGE REGION AND FINISH w/  
FILLET WELD, TYP. TOP & BOTTOM  
FLANGE.