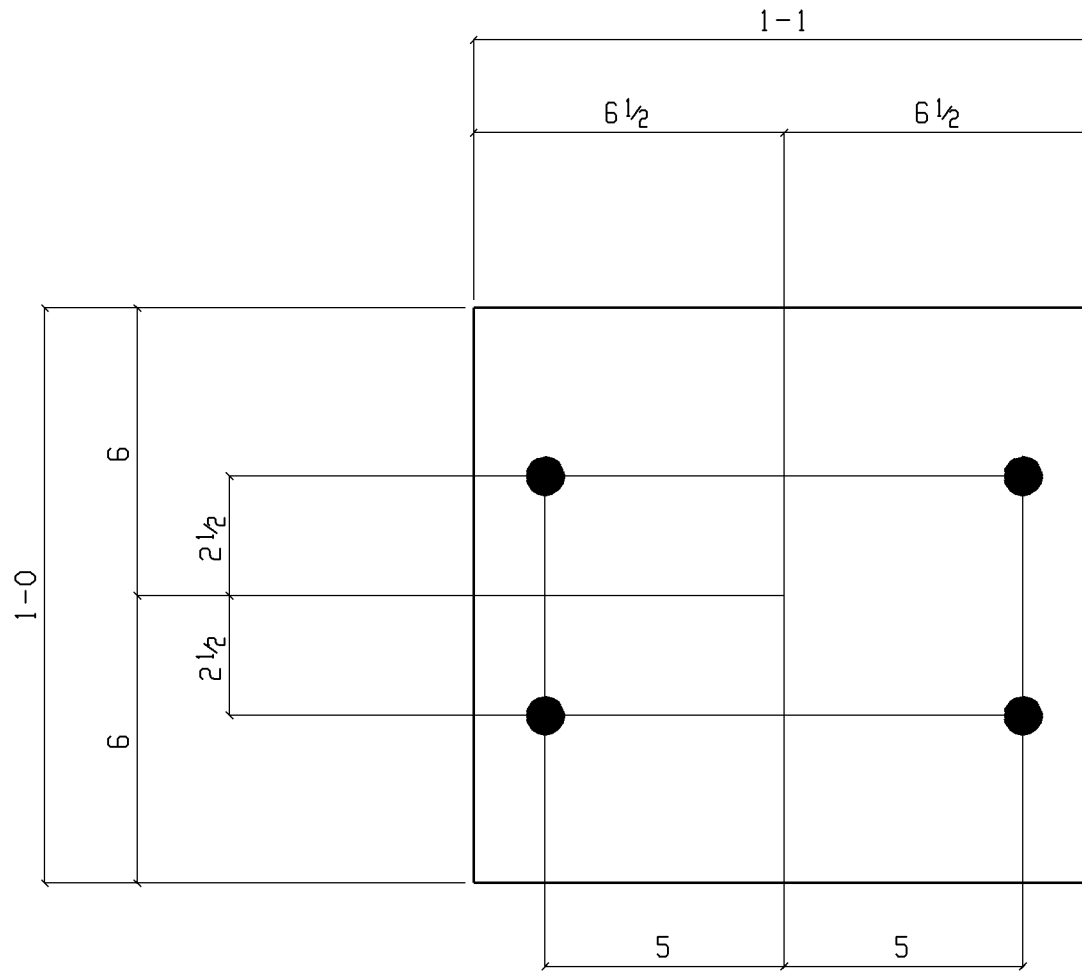


36 FL $\frac{3}{8}$ x5x1-0 f1\_5

GRADE: A36

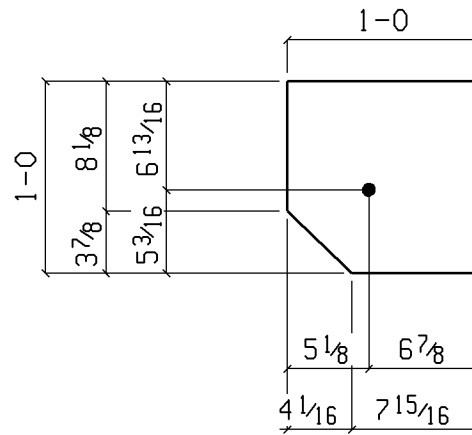
HOLES	13/16 DIA UNO	TO PRODUCTION DATE	Nov 12 2007
RADII	AS NOTED	JOB NUMBER	06-130
DWN	MP	CHK	KB
		PART NUMBER	f1_5



6 PL  $\frac{3}{4}$ x12x1-1 p6\_3

GRADE: A36

HOLES	$\frac{13}{16}$ DIA UNO	TO PRODUCTION DATE	Nov 12 2007
RADII	AS NOTED	JOB NUMBER	06-130
DWN	MP	CHK	KB
		PART NUMBER	p6_3



ONE PL $\frac{3}{4}$ x12x1-0 p7\_5

GRADE: A36

HOLES	$\frac{13}{16}$ DIA UNO	TO PRODUCTION DATE	Nov 12 2007
RADII	AS NOTED	JOB NUMBER	06-130
DWN	MP	CHK	KB
		PART NUMBER	p7_5